



## VALVOLE PER RADIATORI TERMOSTATIZZABILI E DETENTORI RADIATOR VALVES WITH THERMOSTATIC OPTION AND LOCKSHIELDS

### Art.3300-3330

#### Descrizione / Description

Valvole termostaticizzabili pre-settabili.  
Disponibili con volantino manuale di regolazione o tappo cantiere.

Pre-settable thermostatic valves supplied with manual handwheel or protection cap.

Le valvole della Serie 3300 permettono di controllare individualmente la temperatura della stanza consentendo un evidente risparmio energetico, inoltre sono silenziose e disponibili per medie e grosse portate.

Le valvole sono fornite con volantino manuale di regolazione ma con semplici operazioni è possibile installare la testina termostatica con elemento sensibile a liquido Art. 9557.

Le valvole sono disponibili anche con o-ring di pre-tenuta sul codolo.

The valves Serie 3300 individually control rooms temperature and thus save energy; have quiet operation and are fitted to the supply of radiators on two-pipe system with medium and large flow rates.

The valves are supplied with a fully operational handwheel for manual operation of the valve but can be easily replaced with the thermostatic head built-in liquid filled sensible element Art. 9557.

Valves are also available with o-ring on tail piece.



#### Caratteristiche Tecniche

Temperatura max di esercizio:	110°C
Pressione max di esercizio:	10 bar
Pressione differenziale :	Max. 1 bar
	Max. 0,25 bar (Raccomandata per un' operatività silenziosa)
Valore pH :	8÷9,5
Valore Kvs :	Vedi tabella
Filetto testina termostatica :	M30x1,5
Utilizzo :	Acqua per impianti di riscaldamento

#### Technical Features

Maximum operating temperature:	110°C
Maximum operating pressure:	10 bar
Differential pressure :	Max. 1 bar
	Max. 0,25 bar (Recommended for quiet operation)
pH value :	8÷9,5
Kvs value :	See table
Thermostat thread :	M30x1,5
Medium :	Heating water

Descrizione	Materiale	Trattamento	Description	Material	Treatment
Corpo	Ottone CW617N - EN12165	Nichelato/cromato	Body	CW617N-EN12165 brass	Nickel/chrome plated
Dado e codolo	Ottone CW617N - EN12165	Nichelato/cromato	Nut and tail piece	CW617N-EN12165 brass	Nickel/chrome plated
Elemento interno	Ottone CW617N - EN12164 e guarnizioni in EPDM	-	Insert	CW617N-EN12164 brass and EPDM seat-sealing	-
Volantino manuale	ABS bianco RAL9010	Bianco/Cromato	Handwheel	ABS white RAL9010	White/chrome plated
Tappo detentore	Ottone CW617N - EN12165	Nichelato/cromato	Cap lockshield	CW617N-EN12165 brass	Nickel/chrome plated
Guarnizioni	Gomma etilene-propilene EPDM	-	O-rings	Ethylene-propylene rubber EPDM	-

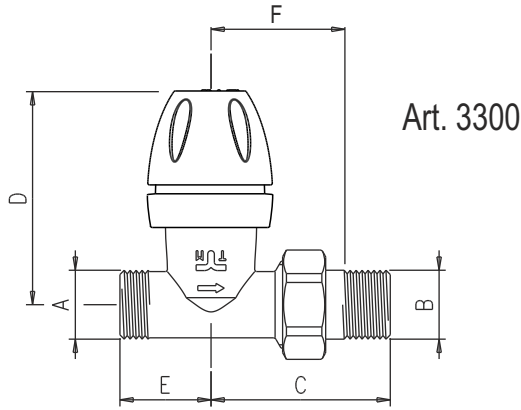
#### Certificazioni Certifications



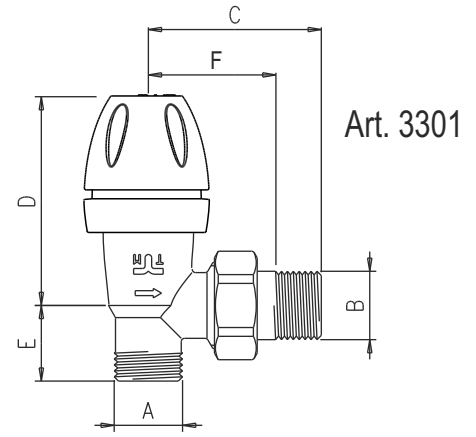


ORIGINAL ITALIAN TRADEMARK

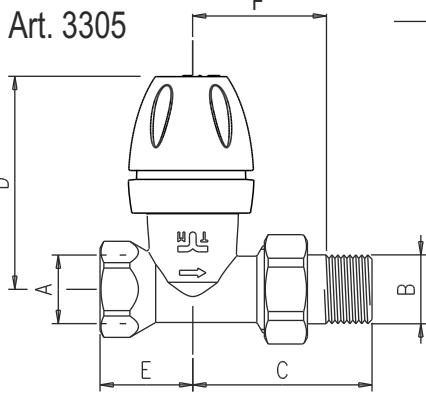
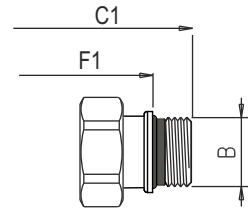
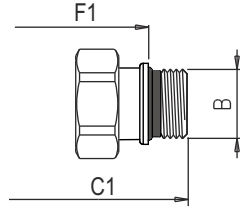
Dimensioni  
Dimensions



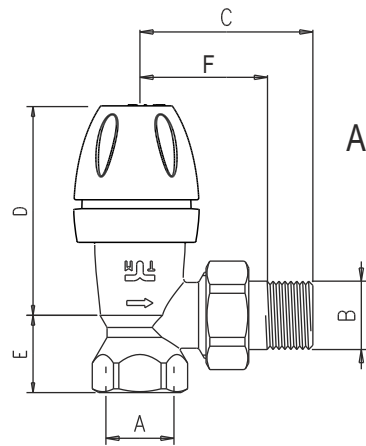
Art. 3300



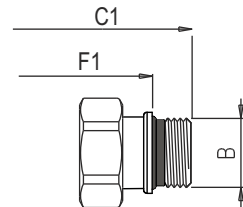
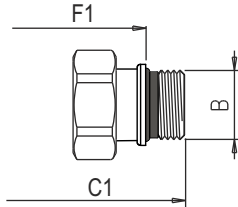
Art. 3301



Art. 3305



Art. 3306



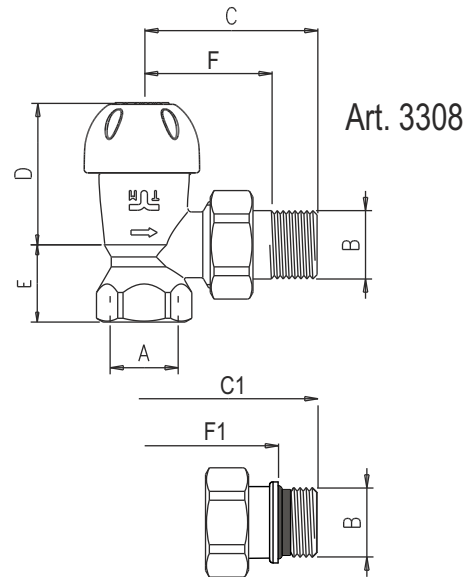
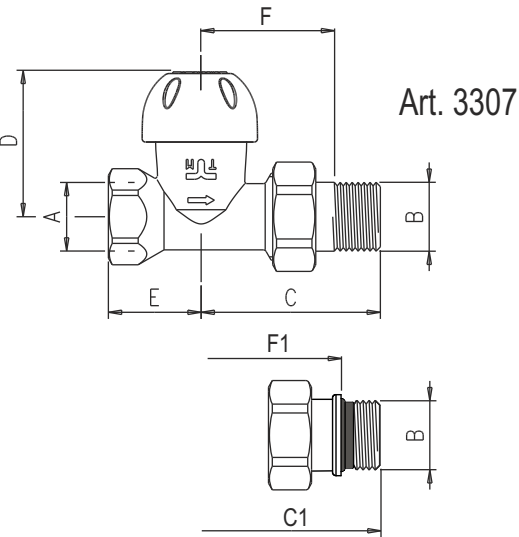
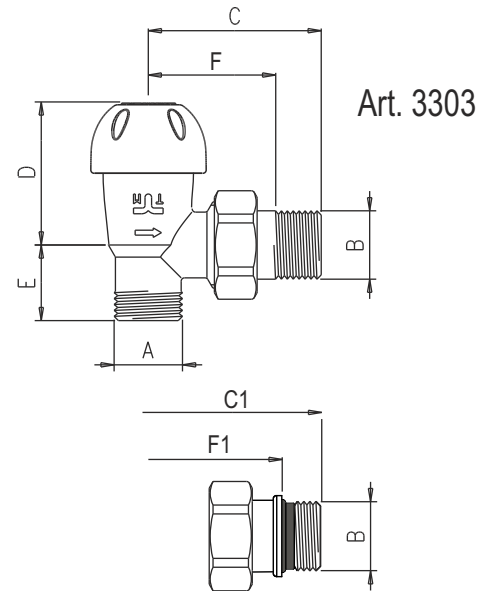
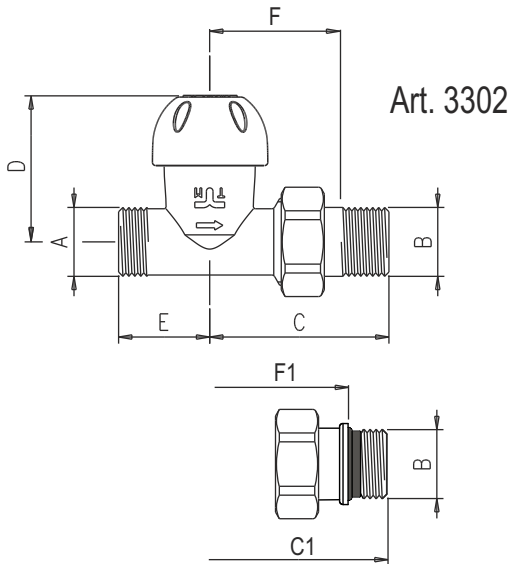
Art. 3300-3301-3305-3306

Articolo Article	DN	Kvs	Dimensioni / Dimensions (mm)					
			A	B	C	F	E	
3300058	10	1,20	1/2"x16	G 3/8"	51,5	40,0	64,0	27,5
3300032	15	1,47	1/2"x16	G 1/2"	50,5	42,0		27,5
3300079	10	1,20	3/4"x18	G 3/8"	51,5	40,0		28,0
3300065	15	1,47	3/4"x18	G 1/2"	50,5	42,0		28,0
3300095	15	1,47	24x19fil	G 1/2"	50,5	42,0		25,5
3300017	10	1,90	1/2"x16	G 3/8"	50,0	38,5	56,5	23,0
3300002	15	2,30	1/2"x16	G 1/2"	48,5	40,0		23,0
3300066	10	1,90	3/4"x18	G 3/8"	50,0	38,5		23,5
3300046	15	2,30	3/4"x18	G 1/2"	48,5	40,0		23,5
3300097	15	2,30	24x19fil	G 1/2"	48,5	40,0		21,0
3300050	10	1,20	G 3/8"	G 3/8"	51,5	40,0	64,0	28,0
3300013	15	1,47	G 1/2"	G 1/2"	50,5	42,0		28,0
3300015	20	2,20	G 3/4"	G 3/4"	58,5	44,5		35,0
3300023	10	1,90	G 3/8"	G 3/8"	50,0	38,5	58,0	23,5
3300005	15	2,30	G 1/2"	G 1/2"	48,5	40,0		23,5
3300022	20	2,60	G 3/4"	G 3/4"	58,5	44,5		26,0

Articolo Article	Dimensioni / Dimensions (mm)	
	C1	F1
3300048	51,0	41,0
3300036	53,5	42,0
3300082	51,0	41,0
3300083	53,5	42,0
3300109	53,5	42,0
3300011	49,5	39,5
3300003	52,0	40,5
3300071	49,5	39,5
3300051	52,0	40,5
3300108	52,0	40,5
3300040	51,0	41,0
3300035	53,5	42,0
3300049	58,5	48,5
3300029	49,5	39,5
3300026	52,0	40,5
3300053	58,5	48,5



**Dimensioni**  
**Dimensions**



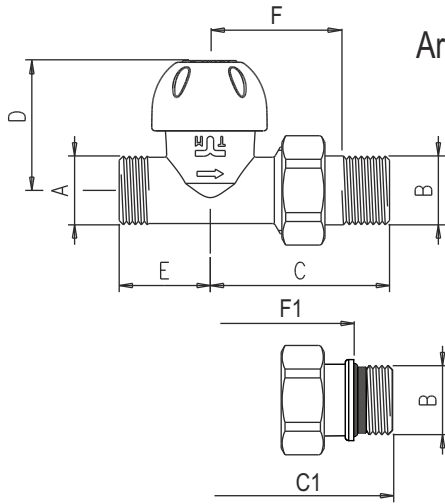
**Art. 3302-3303-3307-3308**

Articolo Article	DN	Kvs	Dimensioni / Dimensions (mm)					D	E
			A	B	C	F			
3300070	10	1,20	1/2"x16	G 3/8"	51,5	40,0	46,0	27,5	
3300034	15	1,47	1/2"x16	G 1/2"	50,5	42,0		27,5	
3300080	10	1,20	3/4"x18	G 3/8"	51,5	40,0		28,0	
3300073	15	1,47	3/4"x18	G 1/2"	50,5	42,0		28,0	
3300019	10	1,90	1/2"x16	G 3/8"	50,0	38,5	40,0	23,0	
3300006	15	2,30	1/2"x16	G 1/2"	48,5	40,0		23,0	
3300067	10	1,90	3/4"x18	G 3/8"	50,0	38,5		23,5	
3300038	15	2,30	3/4"x18	G 1/2"	48,5	40,0		23,5	
3300047	10	1,20	G 3/8"	G 3/8"	51,5	40,0	46,0	28,0	
3300012	15	1,47	G 1/2"	G 1/2"	50,5	42,0		28,0	
3300007	20	2,20	G 3/4"	G 3/4"	58,5	44,5		35,0	
3300031	10	1,90	G 3/8"	G 3/8"	50,0	38,5	40,0	23,5	
3300001	15	2,30	G 1/2"	G 1/2"	48,5	40,0		23,5	
3300027	20	2,60	G 3/4"	G 3/4"	58,5	44,5		26,0	

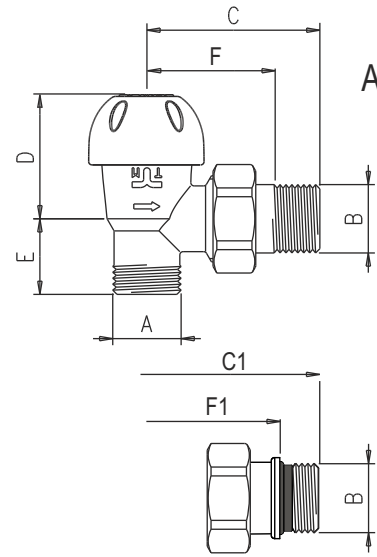
Articolo Article	C1	F1
3300078	51,0	41,0
3300068	53,5	42,0
3300087	51,0	41,0
3300081	53,5	42,0
3300064	49,5	39,5
3300028	52,0	40,5
3300088	49,5	39,5
3300076	52,0	40,5
3300069	51,0	41,0
3300074	53,5	42,0
3300063	58,5	48,5
3300057	49,5	39,5
3300055	52,0	40,5
3300075	58,5	48,5



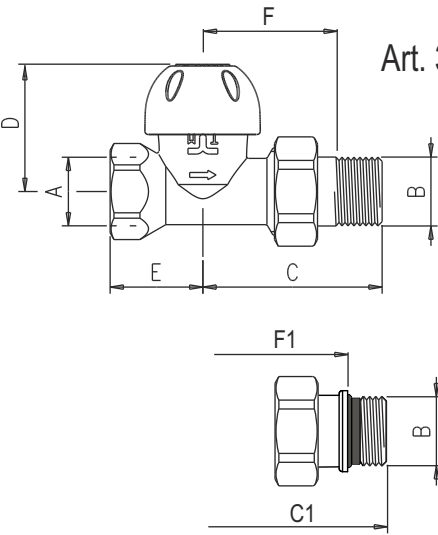
**Dimensioni**  
**Dimensions**



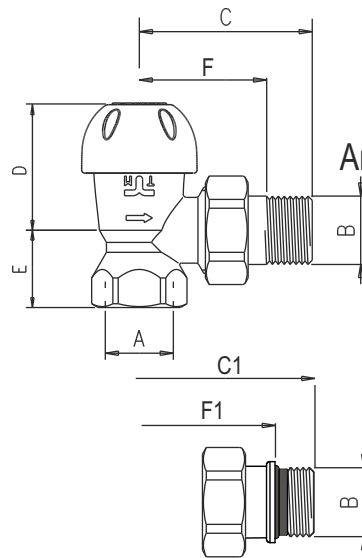
Art. 3330



Art. 3331



Art. 3335



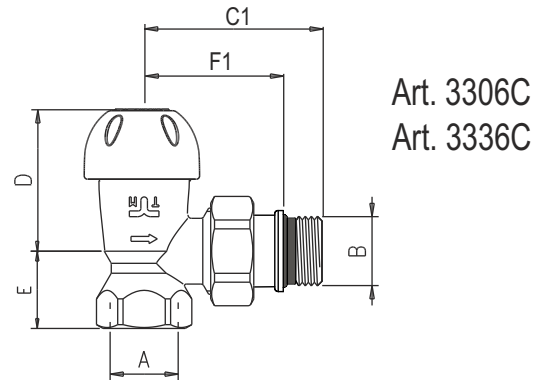
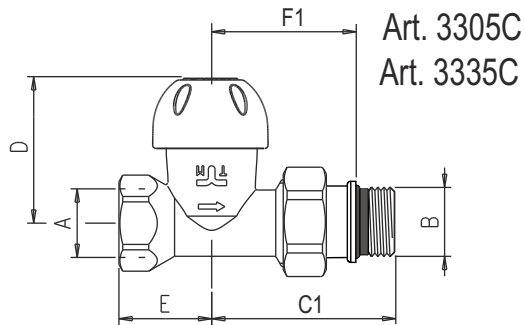
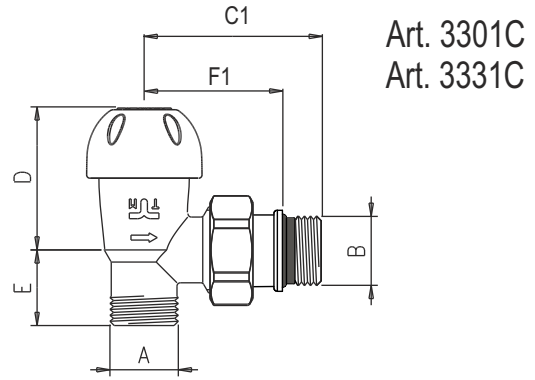
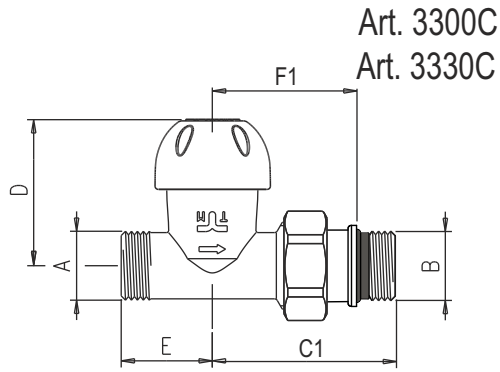
Art. 3336

**Art. 3330-3331-3335-3336**

Articolo Article	DN	Kvs	Dimensioni / Dimensions (mm)					D	E	Articolo Article	C1	F1
			A	B	C	F						
3330032	10	1,32	1/2"x16	G 3/8"	51,5	40,0	42,0	27,5	3330030	51,0	41,0	
3330021	15	1,62	1/2"x16	G 1/2"	50,5	42,0		27,5	3330023	53,5	42,0	
3330038	10	1,32	3/4"x18	G 3/8"	51,5	40,0		28,0	3330041	51,0	41,0	
3330019	15	1,62	3/4"x18	G 1/2"	50,5	42,0		28,0	3330028	53,5	42,0	
3330039	15	1,62	24x19fil	G 1/2"	50,5	42,0		25,5	3330040	53,5	42,0	
3330007	10	2,10	1/2"x16	G 3/8"	50,0	38,5	36,5	23,0	3330008	49,5	39,5	
3330002	15	2,53	1/2"x16	G 1/2"	48,5	40,0		23,0	3330003	52,0	40,5	
3330033	10	2,10	3/4"x18	G 3/8"	50,0	38,5		23,5	3330029	49,5	39,5	
3330013	15	2,53	3/4"x18	G 1/2"	48,5	40,0		23,5	3330025	52,0	40,5	
3330043	15	2,53	24x19fil	G 1/2"	48,5	40,0		21,0	3330044	52,0	40,5	
3330027	10	1,32	G 3/8"	G 3/8"	51,5	40,0	42,0	28,0	3330024	51,0	41,0	
3330009	15	1,62	G 1/2"	G 1/2"	50,5	42,0		28,0	3330026	53,5	42,0	
3330004	20	2,42	G 3/4"	G 3/4"	58,5	44,5		35,0	3330031	58,5	48,5	
3330014	10	2,10	G 3/8"	G 3/8"	50,0	38,5	36,5	23,5	3330015	49,5	39,5	
3330006	15	2,53	G 1/2"	G 1/2"	48,5	40,0		23,5	3330010	52,0	40,5	
3330011	20	2,86	G 3/4"	G 3/4"	58,5	44,5		26,0	3330017	58,5	48,5	



Dimensioni  
Dimensions



Art. 3300C-3301C-3305C-3306C

Articolo Article	DN	Kvs	A	Dimensioni / Dimensions (mm)				
				B	C1	F1	D	E
3300059	10	1,20	1/2"x16	G 3/8"	51,0	41,0	46,0	28,0
3300041	15	1,47	1/2"x16	G 1/2"	53,5	42,0		
3300042	10	1,90	1/2"x16	G 3/8"	49,5	39,5	40,0	23,0
3300009	15	2,30	1/2"x16	G 1/2"	52,0	40,5		
3300060	10	1,20	G 3/8"	G 3/8"	51,0	41,0	46,0	28,0
3300025	15	1,47	G 1/2"	G 1/2"	53,5	42,0		
3300061	10	1,90	G 3/8"	G 3/8"	49,5	39,5	40,0	23,5
3300016	15	2,30	G 1/2"	G 1/2"	52,0	40,5		

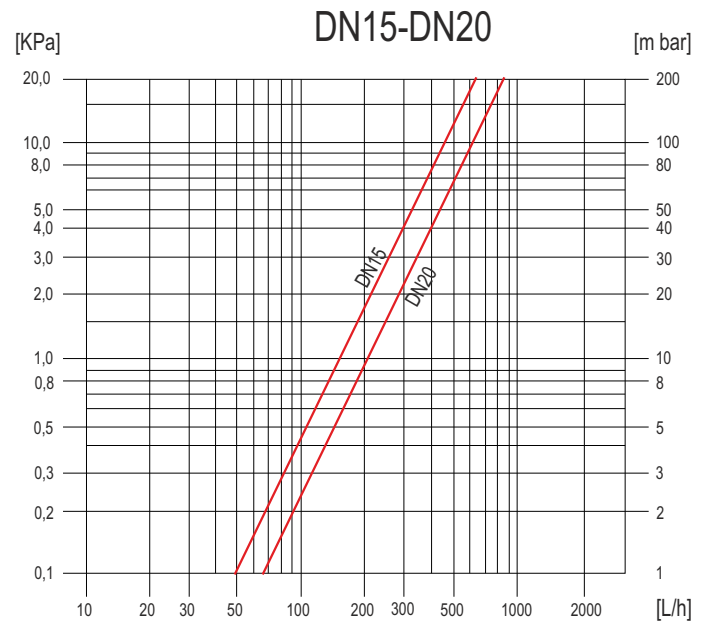
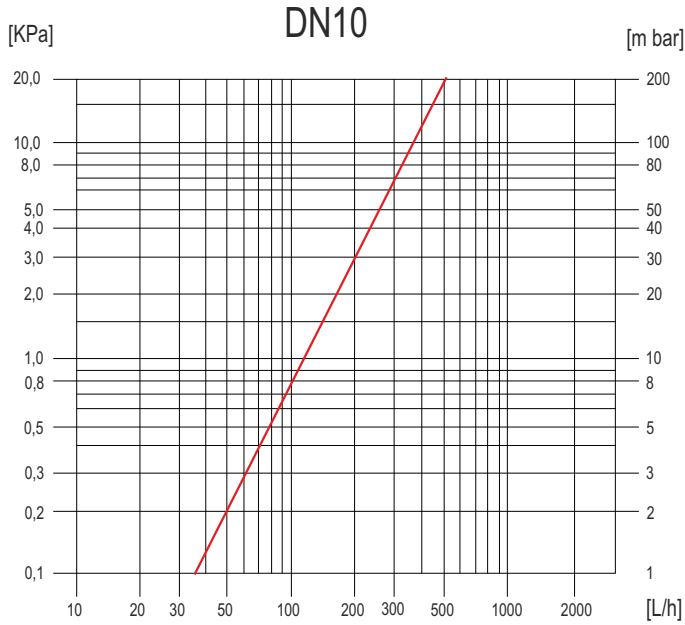
Art. 3330C-3331C-3335C-3336C

Articolo Article	DN	Kvs	A	Dimensioni / Dimensions (mm)				
				B	C1	F1	D	E
3330036	10	1,32	1/2"x16	G 3/8"	54,0	54,0	42,0	28,0
3330018	15	1,62	1/2"x16	G 1/2"	56,0	56,0		
3330016	10	2,10	1/2"x16	G 3/8"	52,0	52,0	36,5	23,0
3330005	15	2,53	1/2"x16	G 1/2"	54,0	54,0		
3330034	10	1,32	G 3/8"	G 3/8"	54,0	54,0	42,0	28,0
3330012	15	1,62	G 1/2"	G 1/2"	56,0	56,0		
3330035	10	2,10	G 3/8"	G 3/8"	52,0	52,0	36,5	23,5
3330001	15	2,53	G 1/2"	G 1/2"	54,0	54,0		

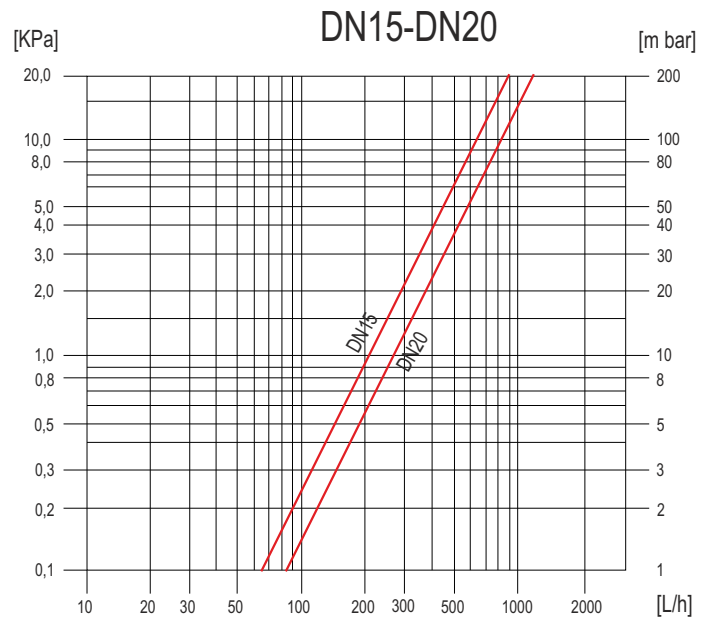
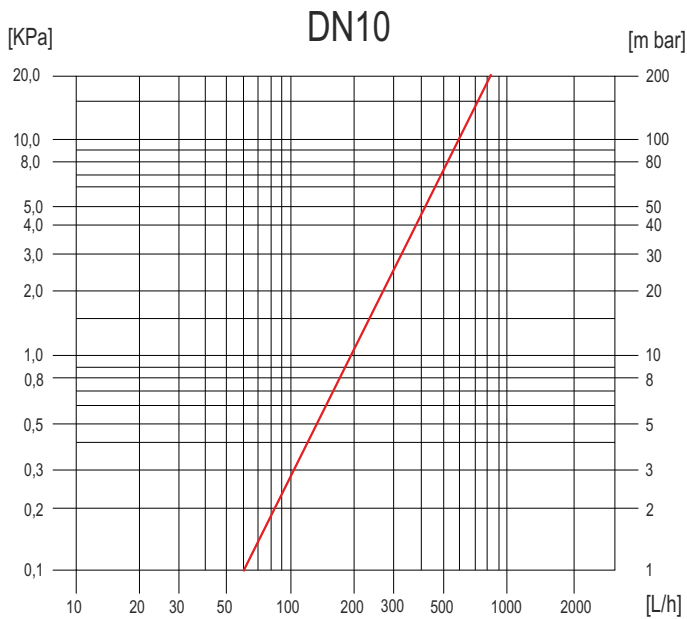


Diagrammi portata/perdita di carico  
Flow/pressure drop diagrams

Art. 3300, 3300C, 3302, 3305, 3305C e 3307



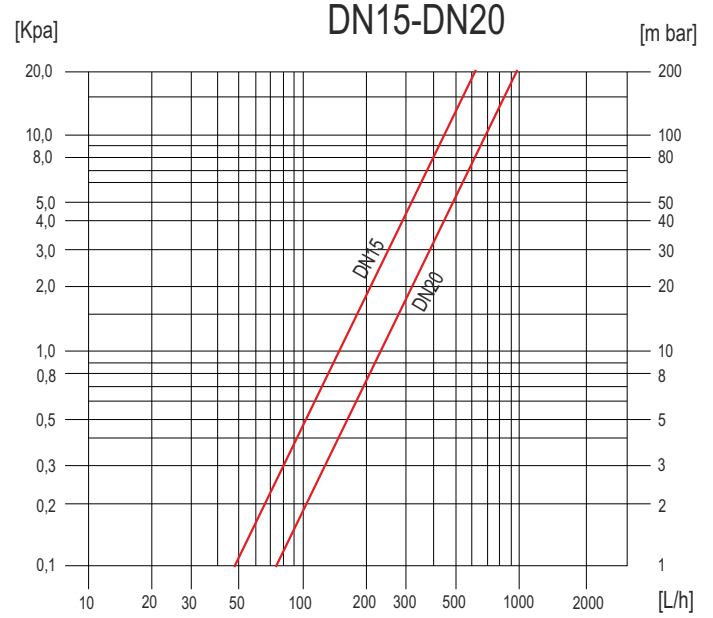
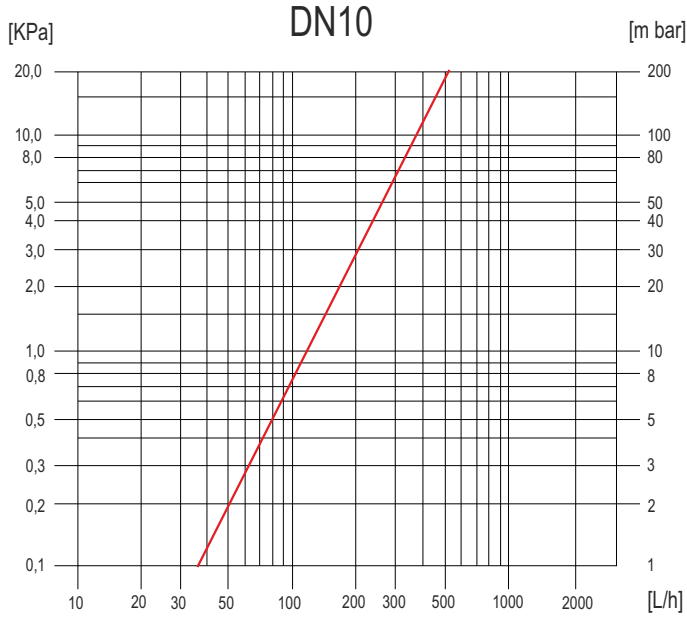
Art. 3301, 3301C, 3303, 3306, 3306C e 3308



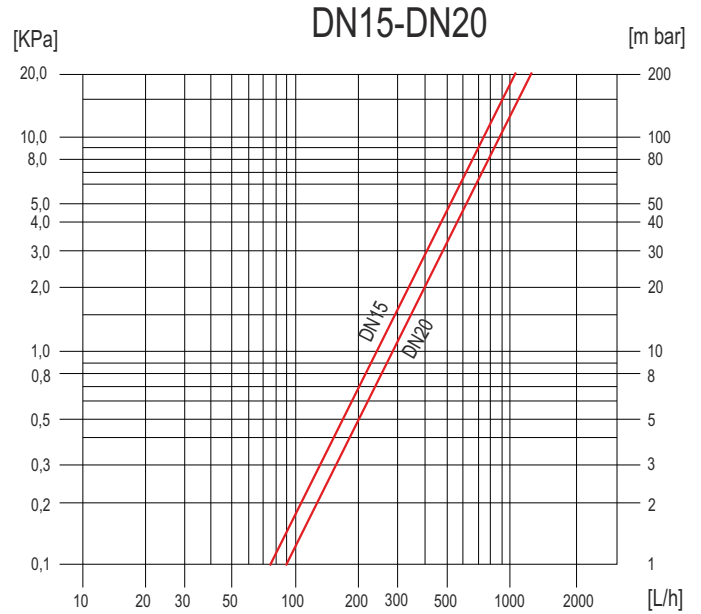
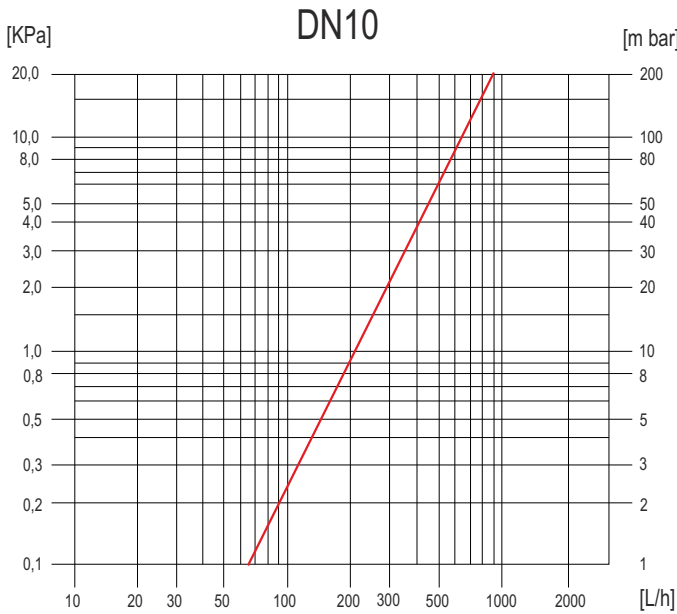


Diagrammi portata/perdita di carico  
Flow/pressure drop diagrams

### Art. 3330, 3335, 3330C e 3335C



### Art. 3331, 3336, 3331C e 3336C







## Accessori Accessories

Art. 1233N



1/2"x16

Adattatori per tubo rame con ogiva in P.T.F.E.  
Adaptors for copper pipe with P.T.F.E. Ring

Art. 1235N



1/2"x16

Adattatori per tubo rame con ogiva in P.T.F.E.  
Adaptors for copper pipe with P.T.F.E. Ring

Art. 1240



1/2"x16

Adattatori per tubo rame con  
ogiva in rame e guarnizione incorporate  
Adaptors for copper pipe  
with built-in brass ring and gasket

Art. 1243K



24x19fil

Adattatori per tubo rame con  
ogiva in rame e guarnizione incorporate  
Adaptors for copper pipe  
with built-in brass ring and gasket

Art. 1435N



1/2"x16

Adattatori per tubo Pe-x  
Adaptors for Pe-x pipe

Art. 1433K



24x19fil

Adattatori per tubo Pe-x  
Adaptors for Pe-x pipe

Art. 1635



1/2"x16

Adattatori per tubo multistrato  
Adaptors for multilayer pipe

Art. 1633K



24x19fil

Adattatori per tubo multistrato  
Adaptors for multilayer pipe

Art. 3345N



G1/2"

Adattatori per tubo rame con allaccio ferro G1/2"  
Adaptors for copper pipe with g1/2" iron  
pipe connection

Art. 3338



Bocchetto con guarnizione  
Tail piece with seal

Art. 3340



Rosone universale  
Universal front cover for pipe

Art. 9553



Testina termostatica  
Thermostatic head

Art. H9705



Vitone di ricambio  
Spare tap headwork

**TIEMME Raccorderie S.p.A.**  
Via Cavallera 6/A (Loc. Barco) - 25045 Castegnato (Bs) - Italy  
Tel +39 030 2142211 R.A. - Fax +39 030 2142206  
info@tiemme.com - www.tiemme.com

TIEMME Raccorderie S.p.A. si riserva di apportare modifiche in qualsiasi momento senza preavviso. È vietata qualsiasi forma di riproduzione, se non autorizzata.  
TIEMME Raccorderie S.p.A. reserves the right to modify contents in any time without prior advise. Is forbidden any reproduction unless under TIEMME authorization