

| | | |
|-----------------------|------------------|-------------|
| PROJECT: | UNIT TAG: | QUANTITY: |
| REPRESENTATIVE: _____ | TYPE OF SERVICE: | DATE: _____ |
| ENGINEER: | SUBMITTED BY: | DATE: |
| CONTRACTOR: | APPROVED BY: | DATE: |
| | ORDER NO.: | DATE: |

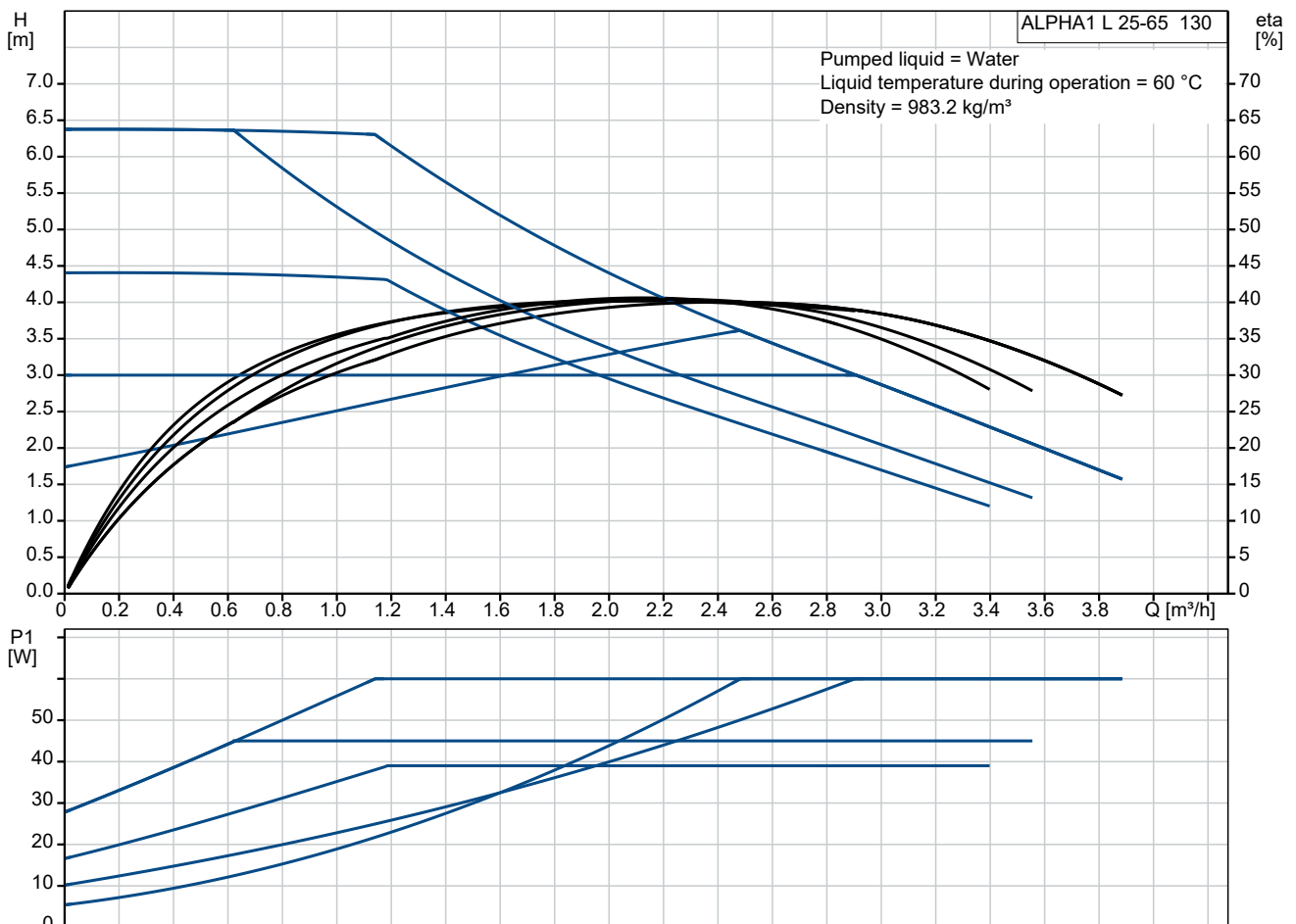


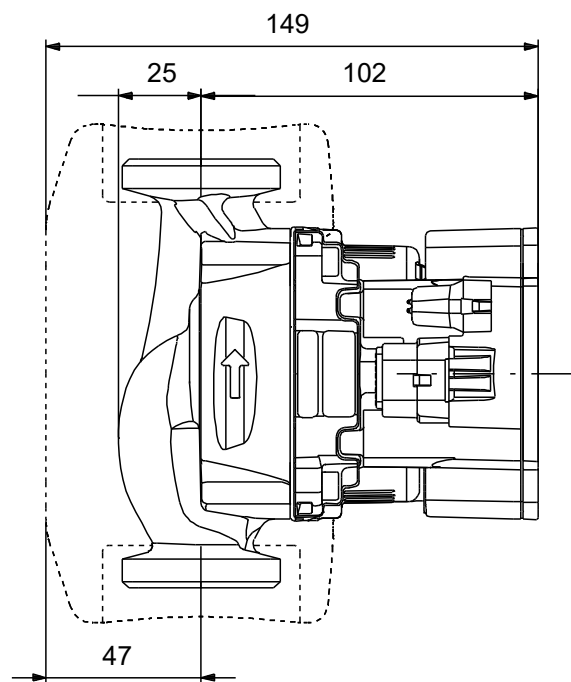
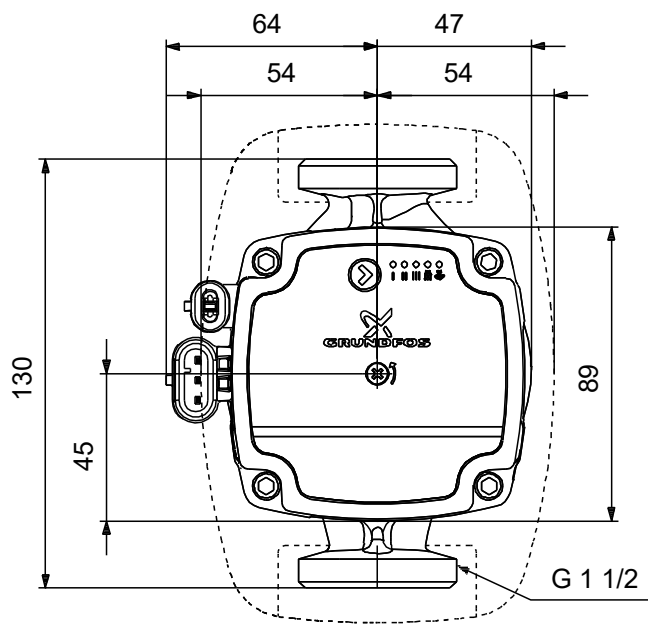
ALPHA1 L 25-65 130

ALPHA1 L is a high-efficiency circulator pump designed for heating systems. The pump can be used as stand-alone or integrated in existing systems as replacement or in new heating systems.

Note! Product picture may differ from actual product

| Conditions of Service | | Pump Data | | Motor Data | |
|-----------------------|-------|------------------------------|------------|---------------------|------------|
| Liquid: | Water | Maximum operating pressure: | 10 bar | P1 max: | 4 .. 60 W |
| Temperature: | 60 °C | Liquid temperature range: | 2 .. 95 °C | Mains frequency: | 50 / 60 Hz |
| Specific Gravity: | 0.985 | Maximum ambient temperature: | 55 °C | Enclosure class: | X4D |
| | | Approvals: | CE,VDE,EAC | Insulation class: | F |
| | | Product number: | 99199582 | Motor protection: | NONE |
| | | | | Thermal protection: | ELEC |





Materials:

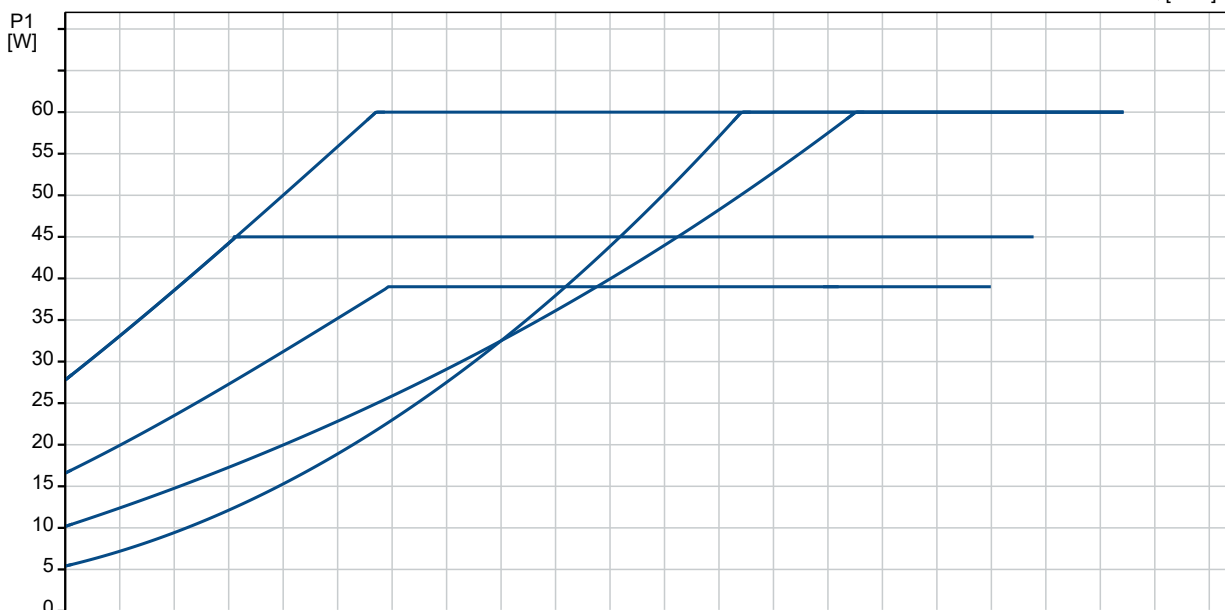
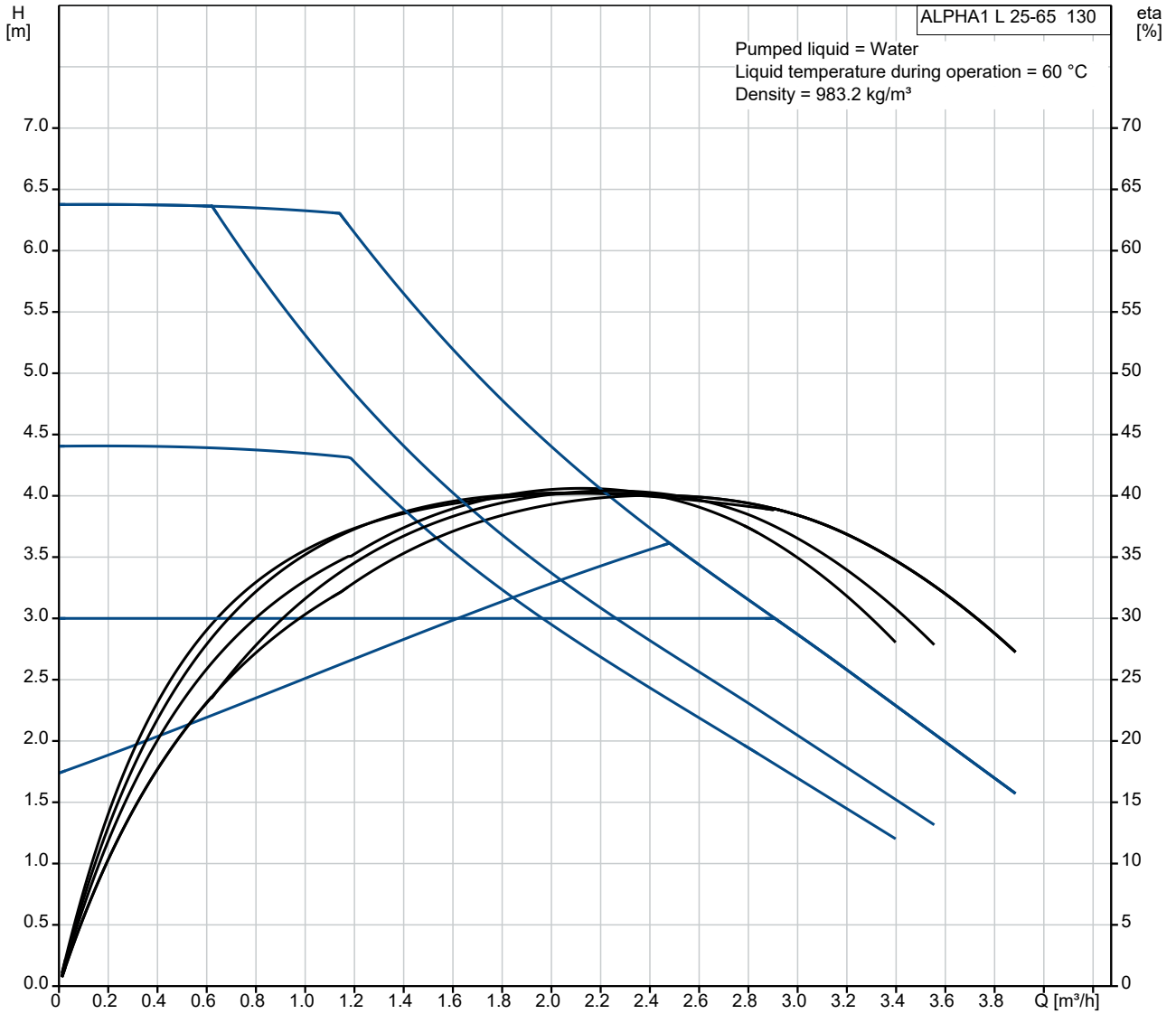
Pump housing: Cast iron

Pump housing: EN 1561 EN-GJL-150

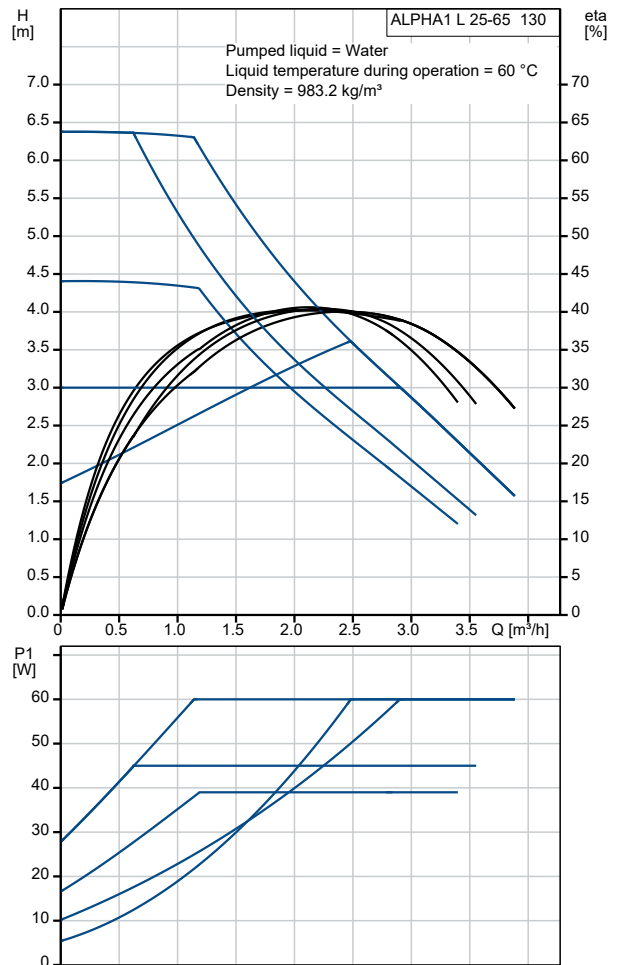
Pump housing: ASTM ASTM A48-150B

Impeller: Composite

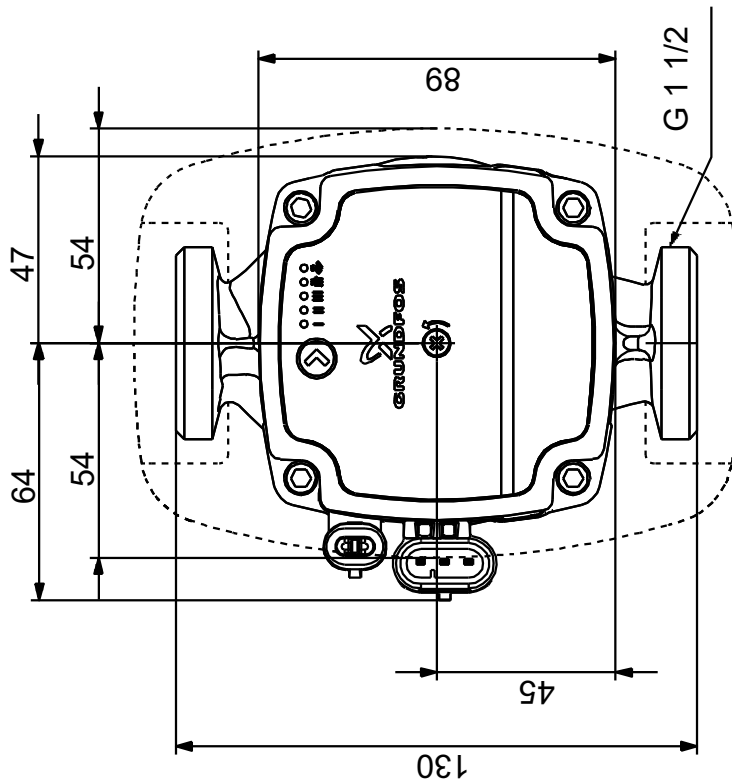
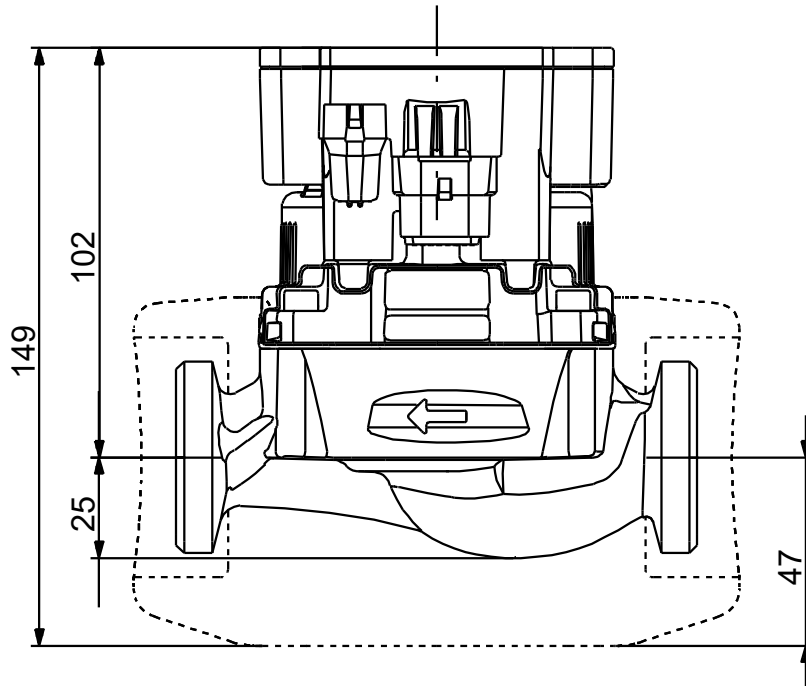
99199582 ALPHA1 L 25-65 130



| Description | Value |
|-------------------------------|-------------------------|
| General information: | |
| Product name: | ALPHA1 L 25-65 130 |
| Product No: | 99199582 |
| EAN number: | 5712608550225 |
| Price: | EUR 195 |
| Technical: | |
| Head max: | 65 dm |
| TF class: | 95 |
| Approvals on nameplate: | CE,VDE,EAC |
| Model: | C |
| Materials: | |
| Pump housing: | Cast iron |
| Pump housing: | EN 1561 EN-GJL-150 |
| Pump housing: | ASTM ASTM A48-150B |
| Impeller: | Composite |
| Impeller: | PES+30% GF |
| Installation: | |
| Range of ambient temperature: | 0 .. 55 °C |
| Maximum operating pressure: | 10 bar |
| Type of connection: | G |
| Size of connection: | 1 1/2 inch |
| Pressure rating: | PN 10 |
| Port-to-port length: | 130 mm |
| Liquid: | |
| Pumped liquid: | Water |
| Liquid temperature range: | 2 .. 95 °C |
| Selected liquid temperature: | 60 °C |
| Density: | 983.2 kg/m ³ |
| Electrical data: | |
| Power input - P1: | 4 .. 60 W |
| Mains frequency: | 50 / 60 Hz |
| Rated voltage [V]: | 1 x 230 V |
| Maximum current consumption: | 0.05 .. 0.52 A |
| Enclosure class (IEC 34-5): | X4D |
| Insulation class (IEC 85): | F |
| Built-in motor protection: | NONE |
| Thermal protec: | ELEC |
| Controls: | |
| Pos term box: | 9H |
| Others: | |
| Energy (EEL): | 0.20 |
| Net weight: | 1.95 kg |
| Gross weight: | 2.08 kg |
| Shipping volume: | 0.004 m ³ |
| Sales region: | GB |
| Country of origin: | DK |
| Custom tariff no.: | 84137030 |

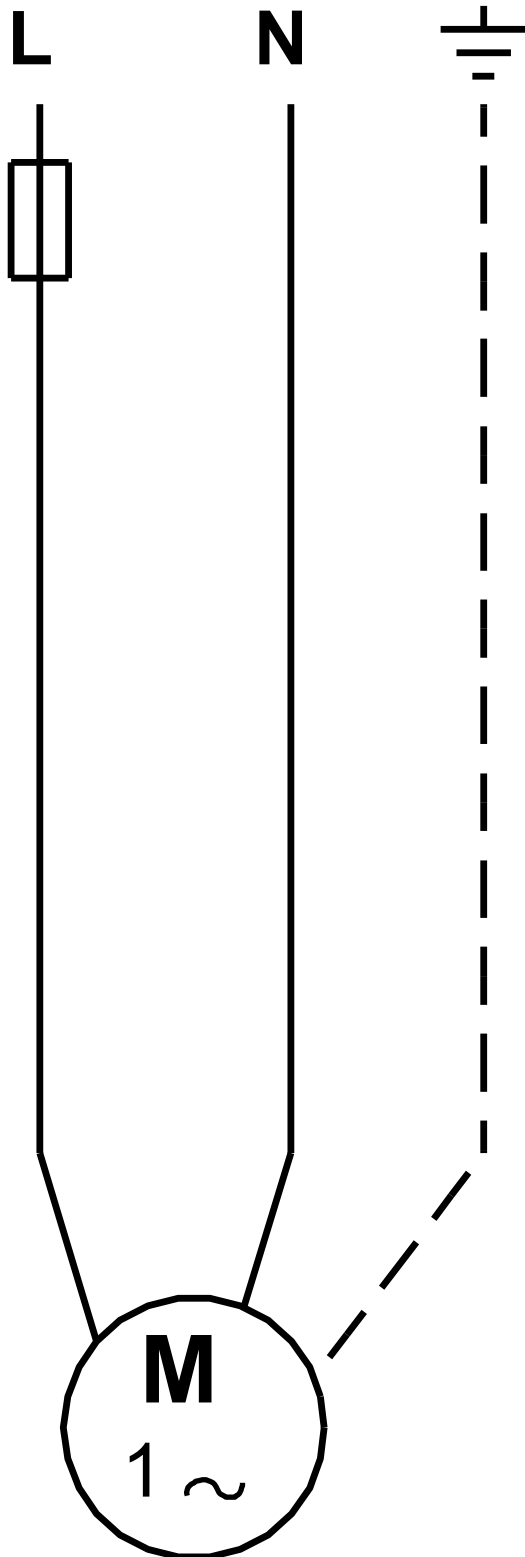


99199582 ALPHA1 L 25-65 130



Note! All units are in [mm] unless others are stated.
Disclaimer: This simplified dimensional drawing does not show all details.

99199582 ALPHA1 L 25-65 130



Note! All units are in [mm] unless others are stated.