

PROJECT:	UNIT TAG:	QUANTITY:
REPRESENTATIVE: _____	TYPE OF SERVICE:	DATE: _____
ENGINEER:	SUBMITTED BY:	DATE:
CONTRACTOR:	APPROVED BY:	DATE:
	ORDER NO.:	DATE:

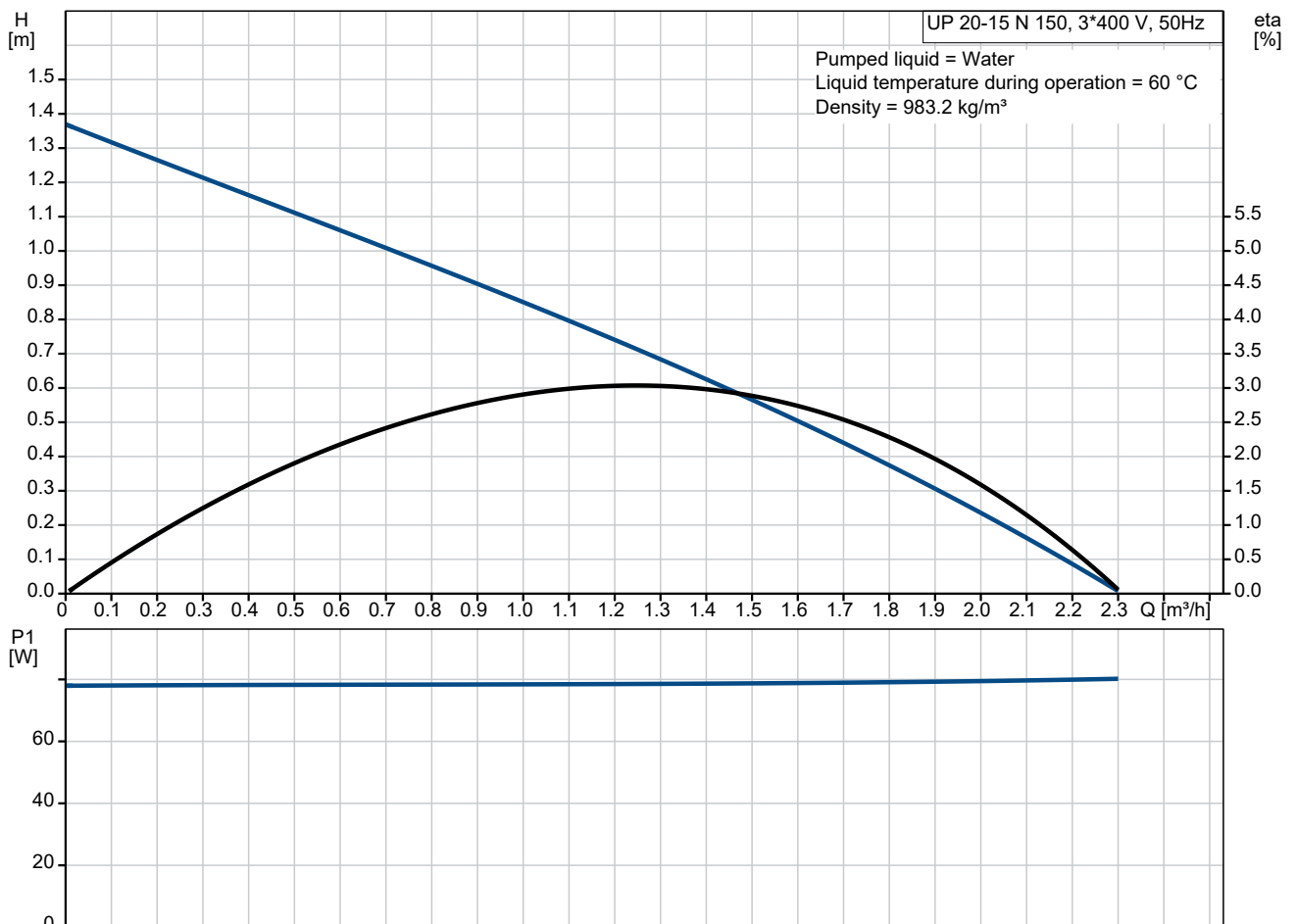


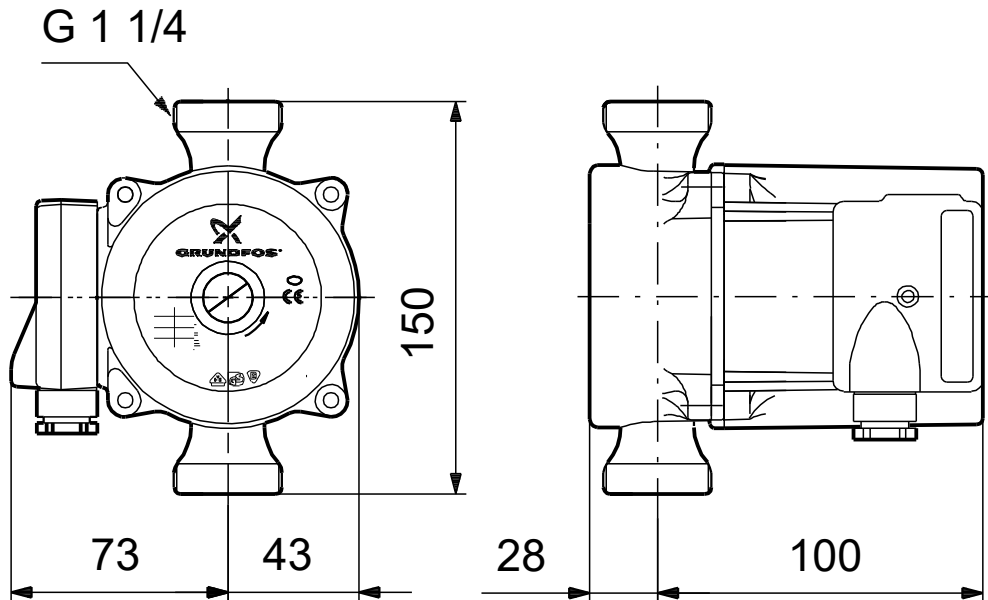
UP 20-15 N 150

Grundfos UP, UPS N circulator pumps have a corrosion-free stainless-steel pump housing and are recommended for domestic hot-water recirculation and underfloor heating systems. UP, UPS N can be connected to an on/off time switch to limit pump operation to periods when hot water is usually required.

Note! Product picture may differ from actual product

Conditions of Service		Pump Data		Motor Data	
Liquid:	Water	Maximum operating pressure:	10 bar	Max. power input:	75 W
Temperature:	60 °C	Liquid temperature range:	2 .. 110 °C	Mains frequency:	50 Hz
Specific Gravity:	0.985	Approvals:	CE,EAC,WEEE	Enclosure class:	IP42
		Pipe connection:	G 1 1/4	Insulation class:	F
		Product number:	59641800	Motor protection:	NONE
				Thermal protection:	Impedance protected





Materials:

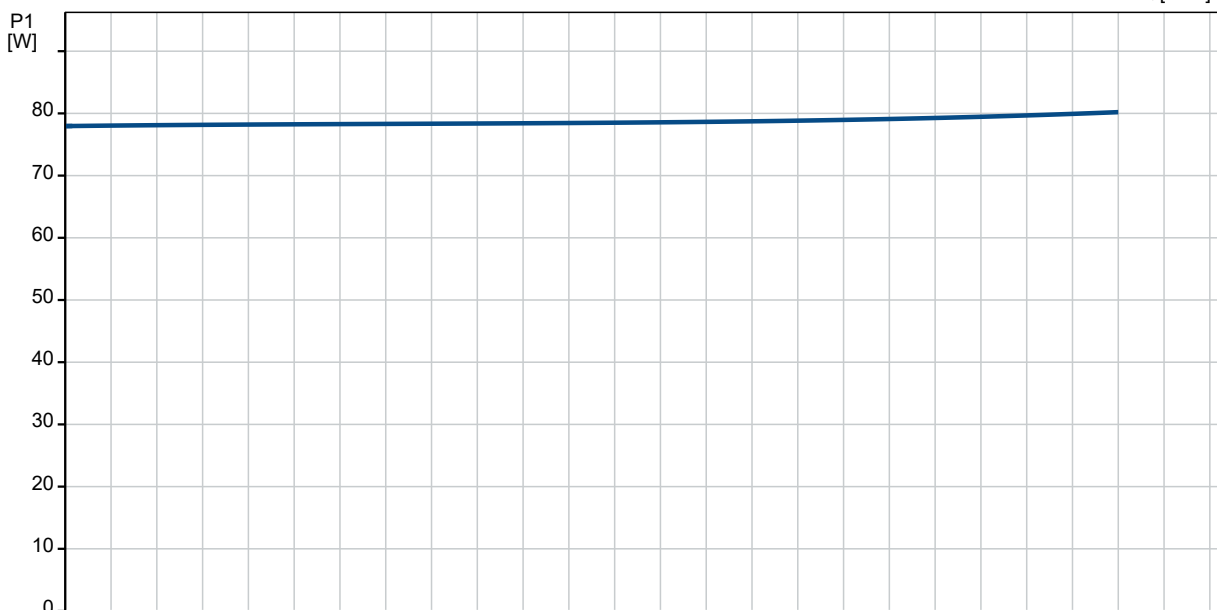
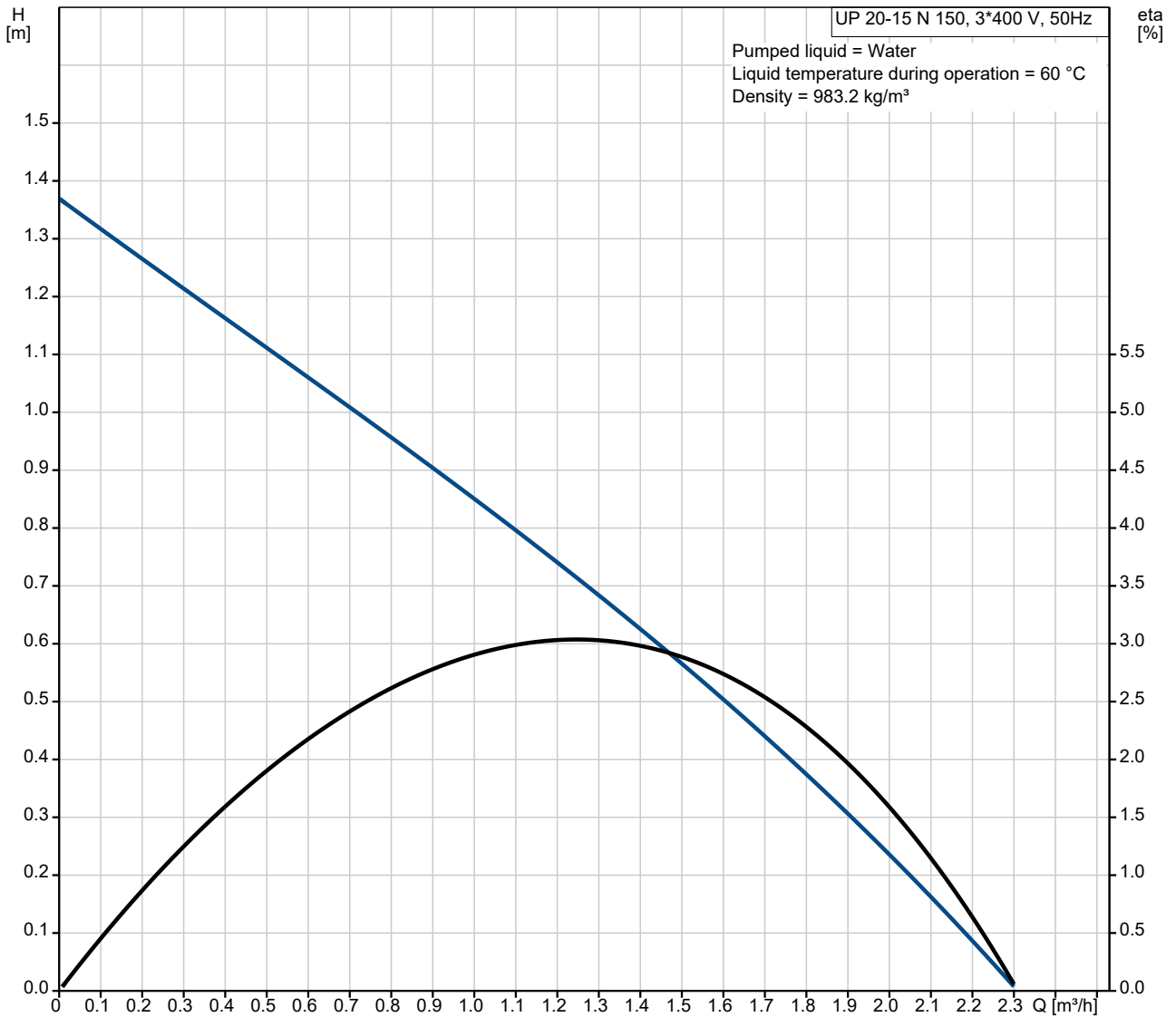
Pump housing: Stainless steel

Pump housing: DIN W.-Nr. 1.4301

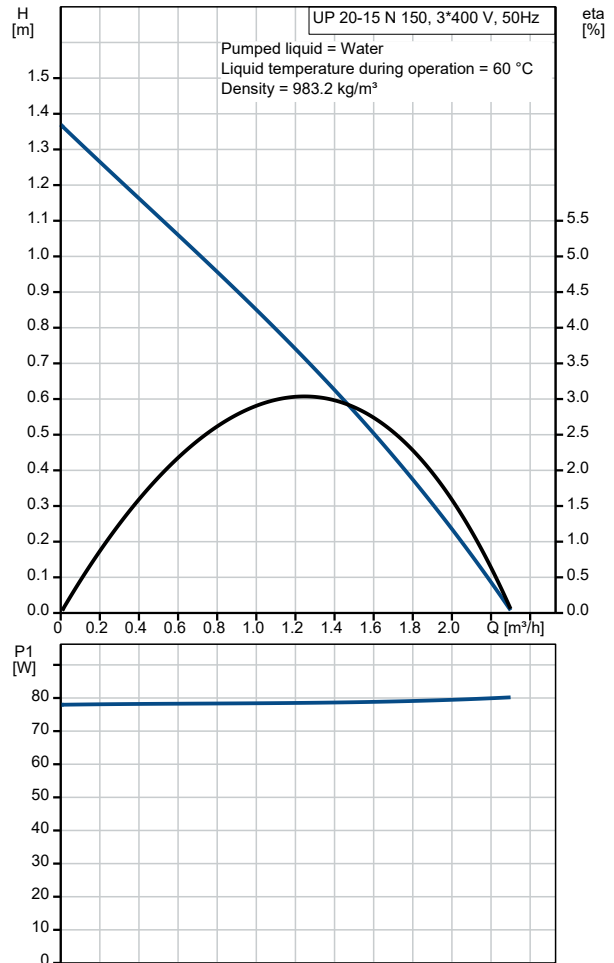
Pump housing: AISI 304

Impeller: Composite, PES/PP

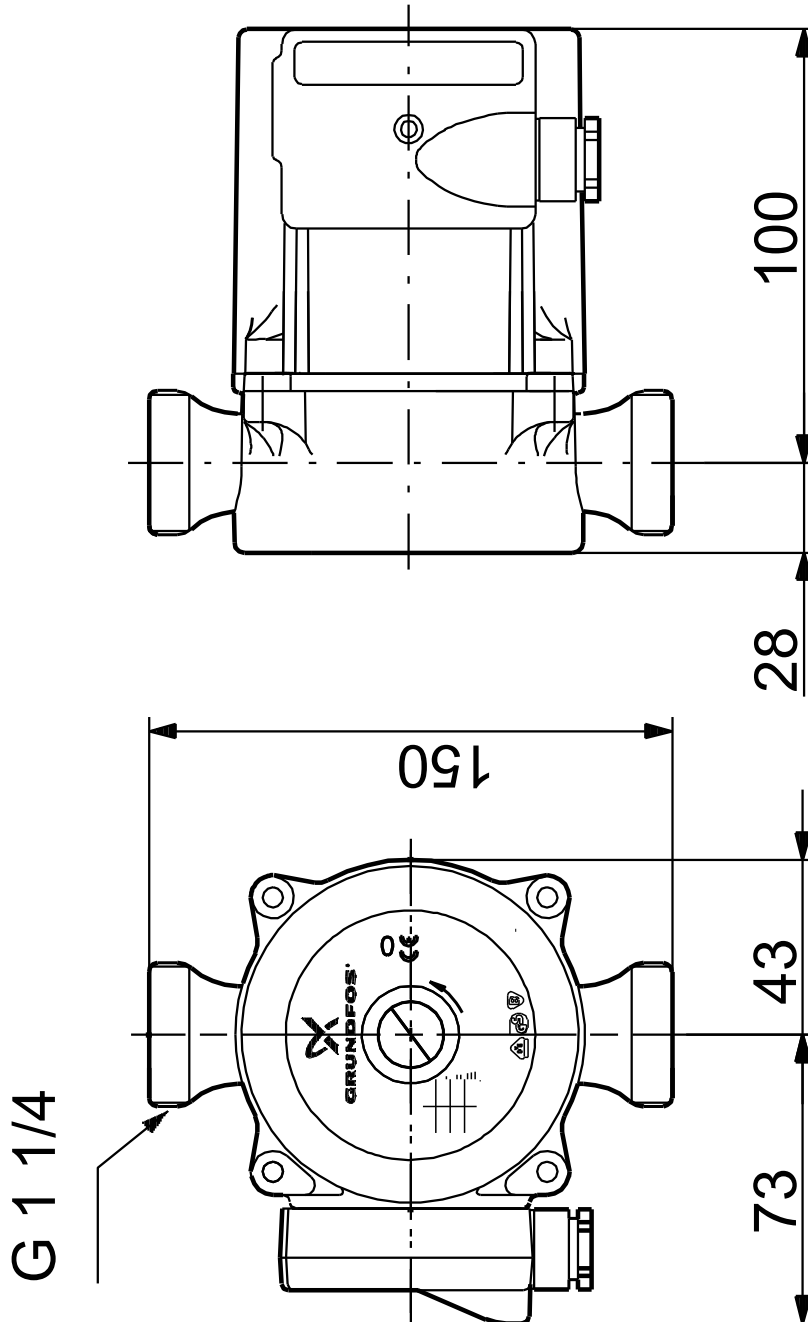
59641800 UP 20-15 N 150 50 Hz



Description	Value
General information:	
Product name:	UP 20-15 N 150
Product No:	59641800
EAN number:	5700390577216
Price:	
Technical:	
Speed no:	1
Head max:	15 dm
TF class:	95
Approvals on nameplate:	CE,EAC,WEEE
Materials:	
Pump housing:	Stainless steel
Pump housing:	DIN W.-Nr. 1.4301
Pump housing:	AISI 304
Impeller:	Composite, PES/PP
Installation:	
Amb. max at 80 dgr C liquid:	80 °C
Maximum operating pressure:	10 bar
Pipe connection:	G 1 1/4
Pressure rating:	PN 10
Port-to-port length:	150 mm
Liquid:	
Pumped liquid:	Water
Liquid temperature range:	2 .. 110 °C
Selected liquid temperature:	60 °C
Density:	983.2 kg/m ³
Electrical data:	
Max. power input:	75 W
Mains frequency:	50 Hz
Rated voltage:	3 x 400 V
Current in speed 3:	0.19 A
Max. starting current:	0.28 A
Enclosure class (IEC 34-5):	IP42
Insulation class (IEC 85):	F
Built-in motor protection:	NONE
Thermal protec:	Impedance protected
Controls:	
Pos term box:	9H
Others:	
Net weight:	2.1 kg
Gross weight:	2.3 kg
Shipping volume:	0.004 m ³
Finnish LVI No.:	4615632
Norwegian NRF no.:	9042177

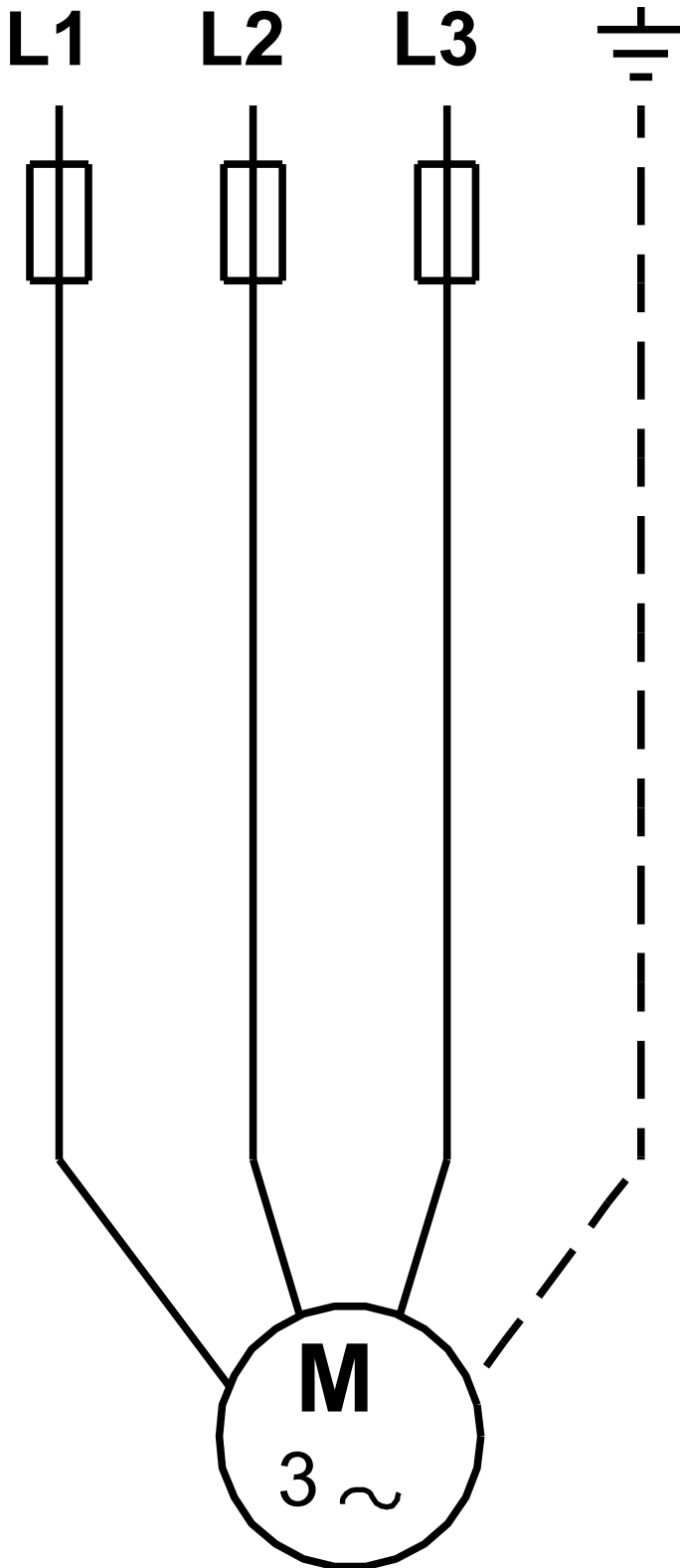


59641800 UP 20-15 N 150 50 Hz



Note! All units are in [mm] unless others are stated.
Disclaimer: This simplified dimensional drawing does not show all details.

59641800 UP 20-15 N 150 50 Hz



Note! All units are in [mm] unless others are stated.