



Art.4516

Description

U profile rail made of plastic with integrated pipe holder.

Art.4526

Description

Screw plastic clip for ensuring the U profile rail to the panel

Function

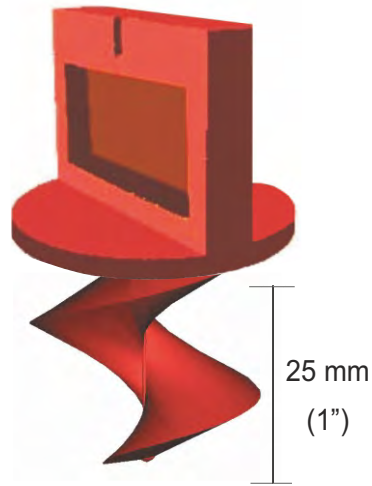
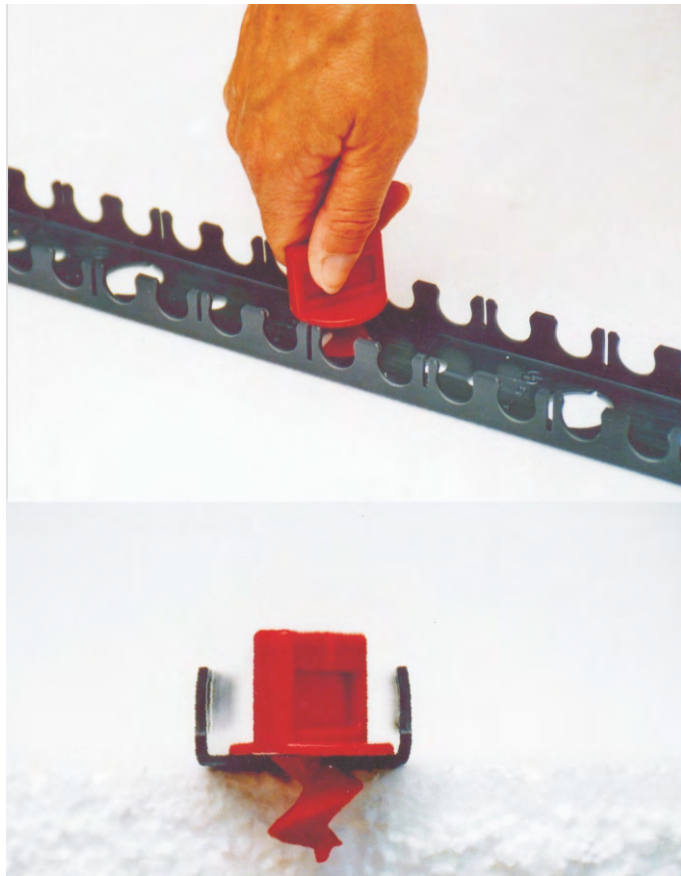
For a safe fastening of the rapid mounting rail on the insulation



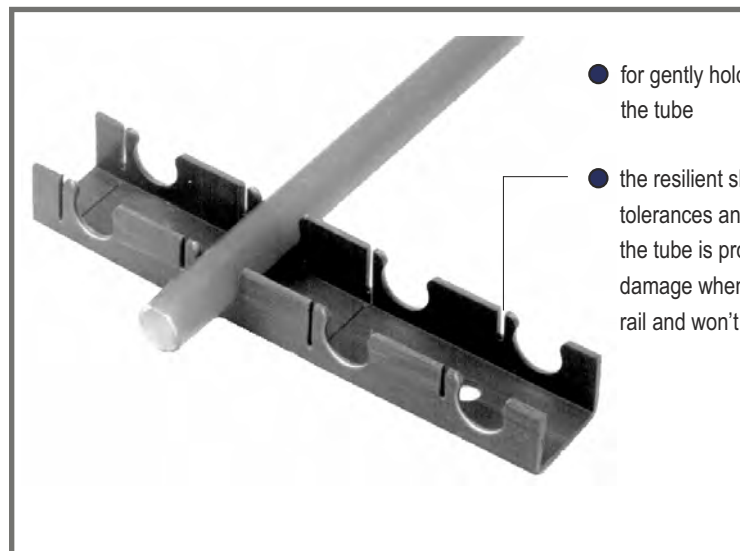
Art.4526



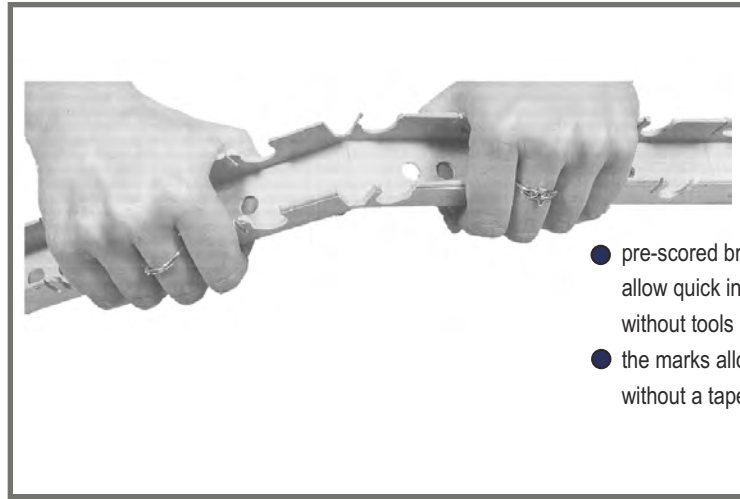
Art.4516



Rapid Mounting Rail with predetermined dividing sections



- for gently holding the tube
- the resilient slit allows tube tolerances and guarantees that the tube is protected against damage when pressed into the rail and won't come back out

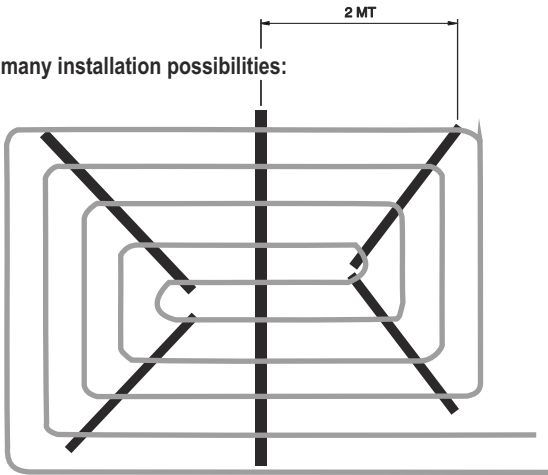


- pre-scored break lines allow quick installation without tools
- the marks allow pipe installation without a tape measure

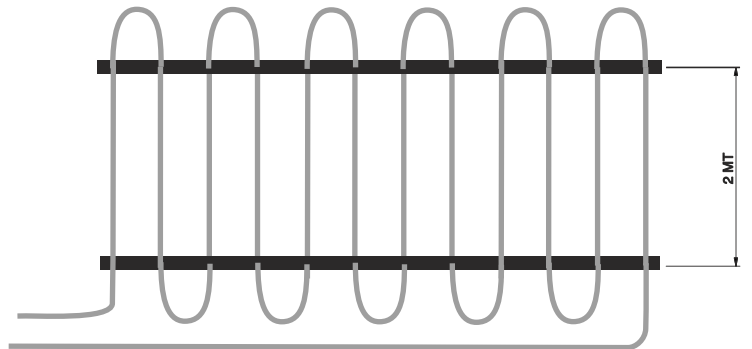
- the resilient rail is designed to be attached to insulation

Rapid Mounting Rail

One of many installation possibilities:



The easiest and fastest laying method:



4500308

4500173



4500382

Technical Data

item No.	for tubing	tube distance*	width	height	track length
4500382	16 / 17 mm	50 mm	50 mm	22,5 mm	2 mt
4500308	20 mm	50 mm	50 mm	25,0 mm	2 mt
4500173	25 mm	100 mm	50 mm	35,0 mm	1 mt