



K2 SLIDING DOOR



APPROVED



DOMESTIC



HOTEL & LEISURE

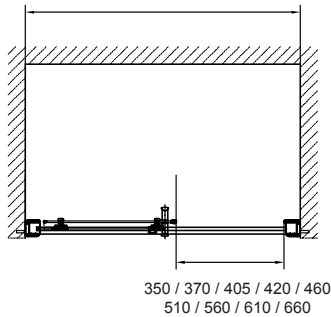
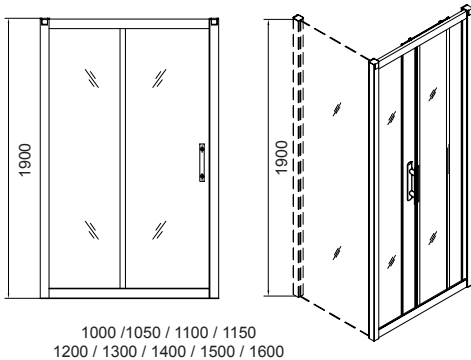


PRODUCT INFORMATION

EK219SV100	K2 1000 sliding door	EK219SV1050	K2 1050 sliding door
EK219SV110	K2 1100 sliding door	EK219SV1150	K2 1150 sliding door
EK219SV120	K2 1200 sliding door	EK219SV130	K2 1300 sliding door
EK219SV140	K2 1400 sliding door	EK219SV150	K2 1500 sliding door
EK219SV160	K2 1600 sliding door		

SPECIFICATIONS

- 1900mm high
- Universally handed
- Magnetic door closure
- 6mm clear toughened safety glass EN 12150-1
- Clearshield - easy clean glass protection
- Polished silver aluminium profiles EN 12373-1
- F-style easy grip chrome handles
- Profile cover caps
- Adjustable wall profiles
- Power shower suitable
- Push down bottom rollers on sliding doors for easy cleaning
- Easy-glide nylon and brass rollers on all sliding doors
- Adjustable double rollers on sliding doors
- Semi-frameless side panel available
- Lifetime Guarantee*
- 30mm extension wall profile available: 19EXT



RELATED PRODUCTS

For a list of related shower tray options please refer to www.sonasbathrooms.com

MATERIAL COLOUR/FINISH MAKE APPROVALS FIXING

- Aluminium EN12373-1 / Glass EN12150-1
- Polished Silver
- KRISTAL Shower Doors
- CE Approved
- Screw to solid wall (fixings supplied)
- Silicone to shower tray (not supplied)

WEIGHT ADDITIONAL INFORMATION

- 37KG / 42KG / 35KG / 45KG / 44KG / 47KG / 55KG / 53KG
- All shower enclosures must be installed in accordance with the fitting instructions provided.
- Please refer to them before installation commences.

SIDE PANELS

SIDE PANEL	SIZE	ADJUSTMENT
EK219P70	700	660 - 690
EK219P76	760	720 - 750
EK219P80	800	760 - 790
EK219P90	900	860 - 890
EK219P100	1000	960 - 990

SLIDING DOOR	SIZE	ADJUSTMENT MIN-MAX	ADJUSTMENT WITH SIDE PANEL	DOOR OPENING
EK219SV100	1000	960 - 1020	965 - 1020	350mm
EK219SV1050	1050	1000 - 1060	1005 - 1060	370mm
EK219SV110	1100	1060 - 1120	1065 - 1120	405mm
EK219SV1150	1150	1100 - 1160	1105 - 1160	420mm
EK219SV120	1200	1160 - 1220	1165 - 1220	460mm
EK219SV130	1300	1260 - 1320	1265 - 1320	510mm
EK219SV140	1400	1360 - 1420	1365 - 1420	560mm
EK219SV150	1500	1460 - 1520	1465 - 1520	610mm
EK219SV160	1600	1560 - 1620	1565 - 1620	660mm

All measurements in mm unless stated otherwise

*Lifetime Guarantee excludes perishable items e.g. rollers, seals and hinges etc.